

INSTRUCTIONS HELIUM ESCAPE VALVE DIVER WATCH

Terms and conditions of our warranty & maintenance tips available by clicking on the following link:

www.traser.com/customer-service/warranty

Your **traser** diver watch is for professional and scuba divers.

The helium escape valve offers best possible security and reliability. To ensure that your watch remains water-resistant, we recommend the timepiece is checked every year by an authorised **traser** partner.

WHY A HELIUM ESCAPE VALVE?

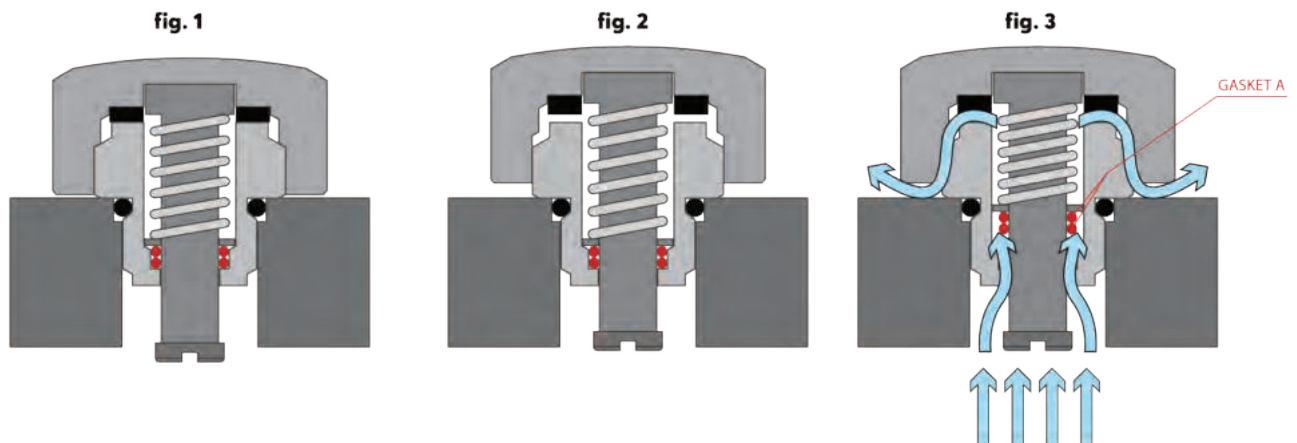
Professional divers fulfilling their duty at great depths stay in a diving bell for several days. They breathe a mix of gases containing a high proportion of helium under a certain pressure at working depth. Helium molecules diffuse and penetrate the material of the gasket. The amount is high enough to push out the glass while returning to atmospheric pressure. To avoid this, once the professional divers have re-entered the bell, they must unscrew the valve crown as soon as the decompression phase (ascent) starts (only for deep-sea dives lasting several days).

HOW TO USE YOUR **traser** HELIUM ESCAPE VALVE

In the regular position, the helium escape valve is completely water-resistant but not functional as the valve crown is screwed down (**fig. 1**).

Once re-entered the diving bell, unscrew the valve crown as soon as the decompression phase (ascent) starts (**fig. 2**). Gasket (A) is pushed out of the seating and releases the gas (**fig. 3**). Once the pressure is equalised, gasket (A) returns to its original position (**fig. 2**).

As soon as atmospheric pressure is reached, screw down tightly the valve crown (**fig. 1**).



NOTE: To guarantee complete water-resistance, the valve crown must be screwed down tightly whenever the watch is immersed in water.